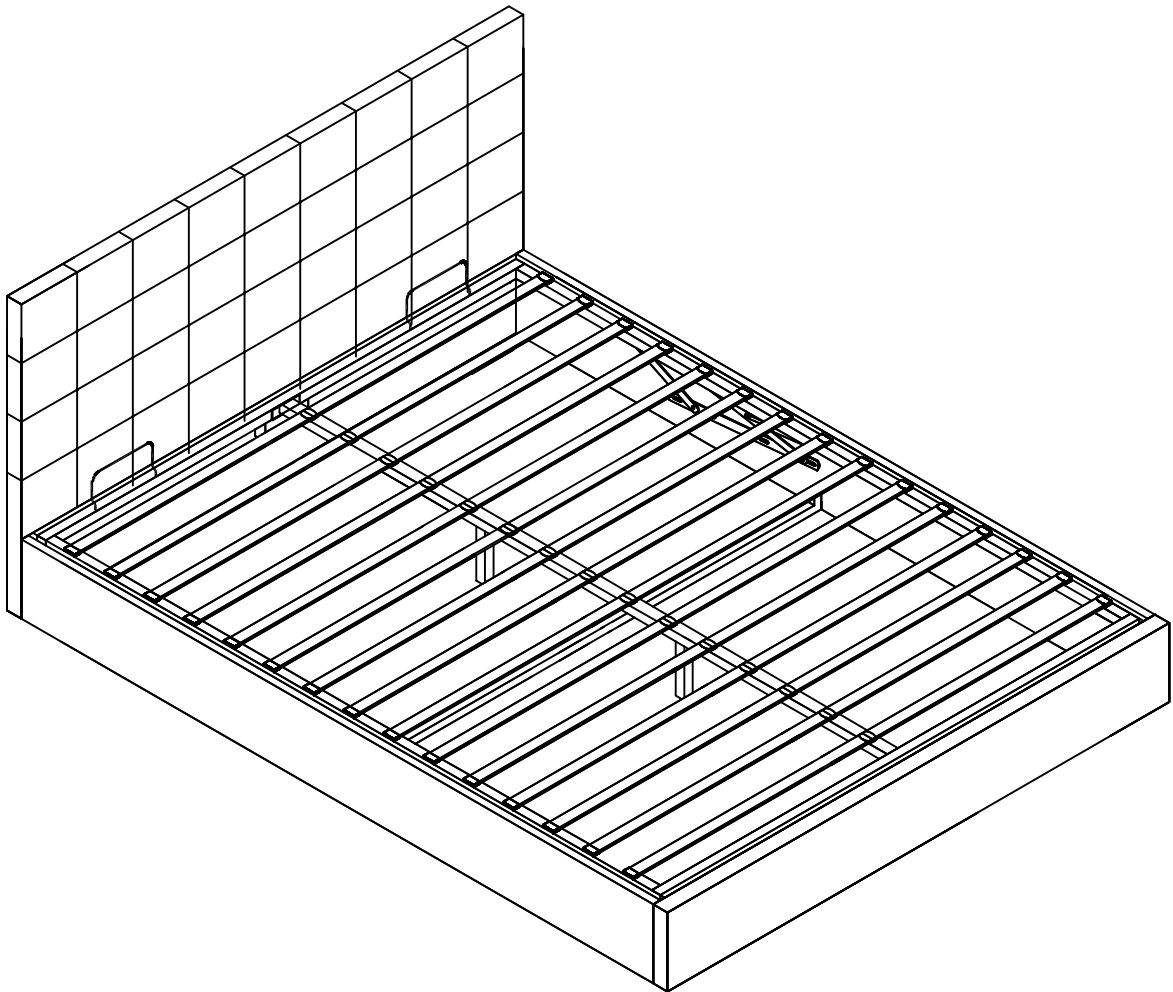


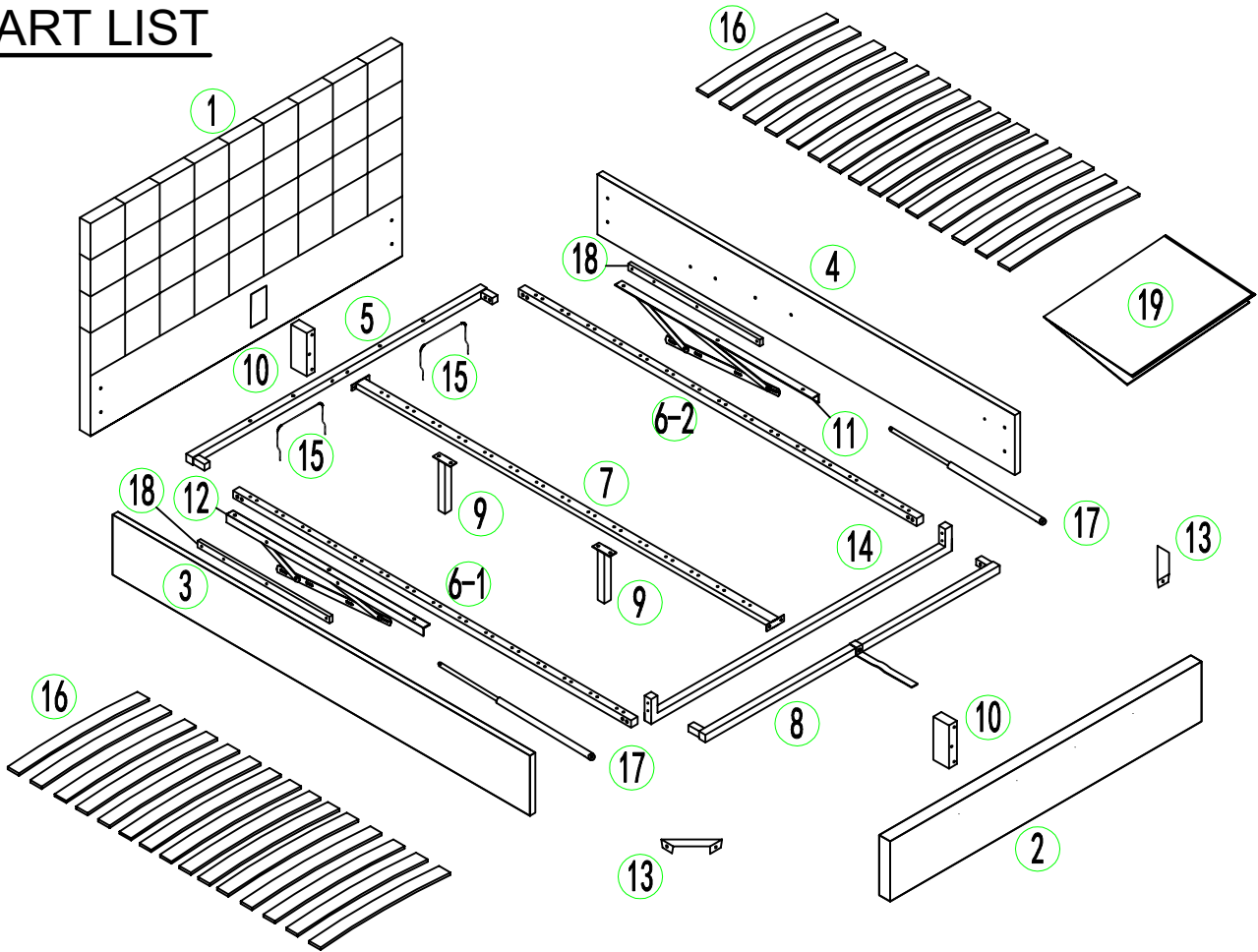
LUXOR BED LX-902/3

ASSEMBLY INSTRUCTIONS



LUXOR BED IS FOR DOMESTIC USE
AND STRICTLY NOT FOR CONTRACT USE.

PART LIST



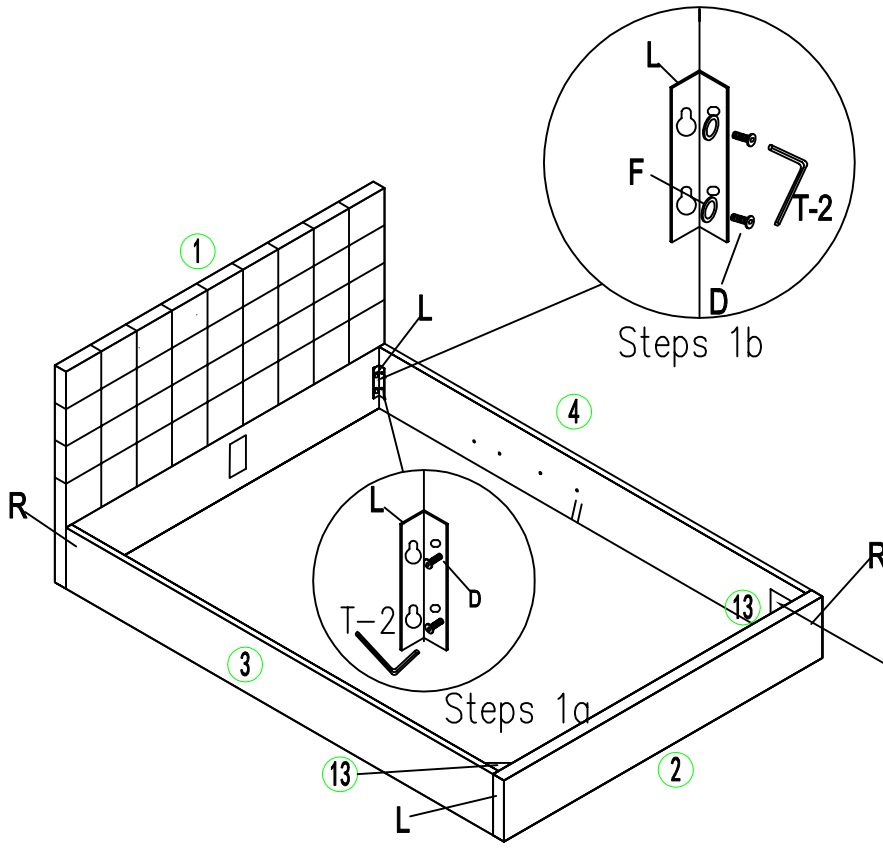
HARDWARE LIST

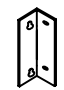
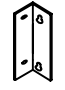





Label	Picture	Description	Qty	Label	Picture	Description	Qty
A		Single Plastic CAP	30	G		NUT	4
B		Double Plastic CAP	15	H		Bolt M8x15	22
C		Bolt M8x30	8	I		Bolt M6x20	4
D		Bolt M8x20	16	J		Screw 4*80	6
E		Screw 4*35	4	L		Connection Plate Left	2
F		Washer M8	8	R		Connection Plate Right	2

TOOL list

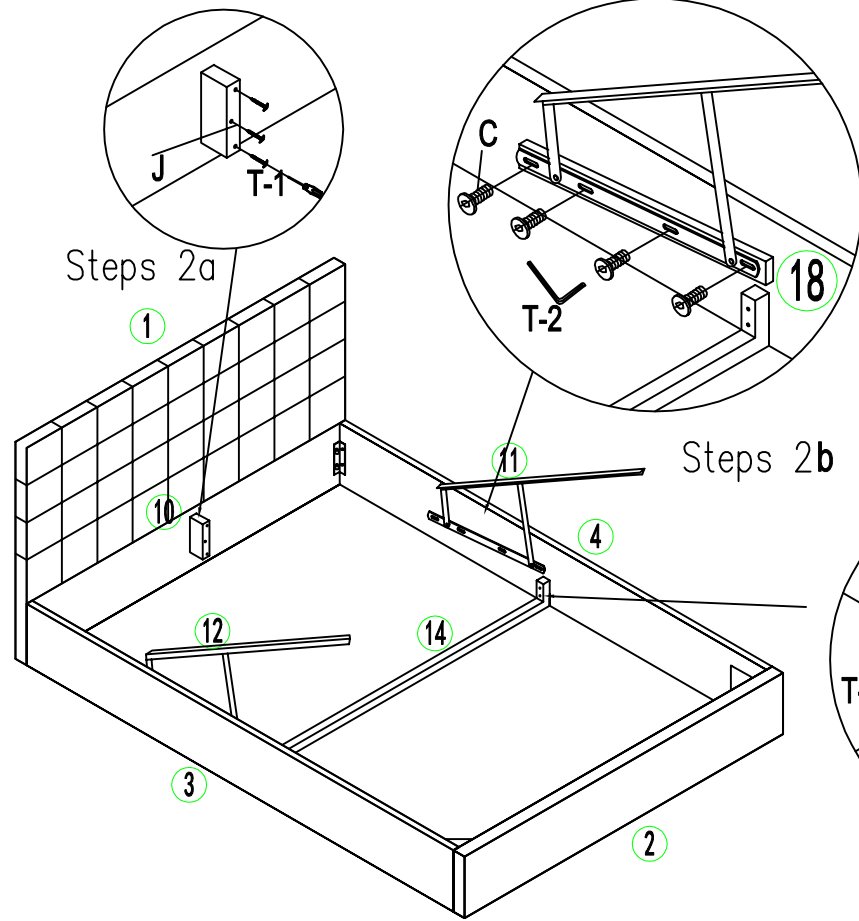
Label	Picture	Description	Qty
T-1		Screw driver(not provided)	1
T-2		Allen key M5	1
T-3		Allen key M4	1
T-4		SPANNER	1



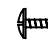


Step 1



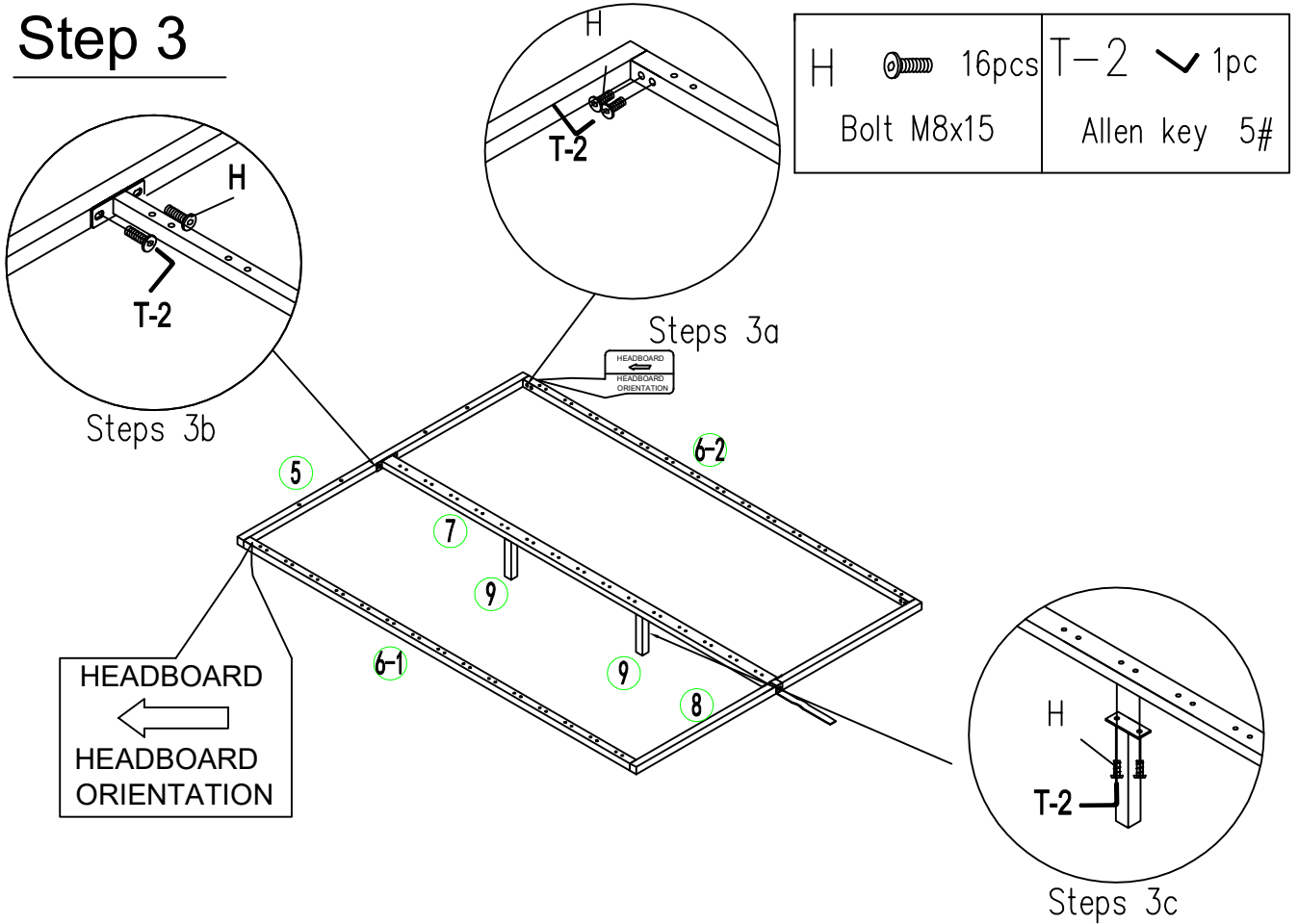
L  2pcs Connection Plaste Left	R  2pcs Connection Plaste Right
D  16pcs Bolt M8x20	I  4pcs Bolt M6x20
F  8pcs Washer M8	T-2  1pc Allen key 5#
	T-3  1pc Allen key 4#

Step 2

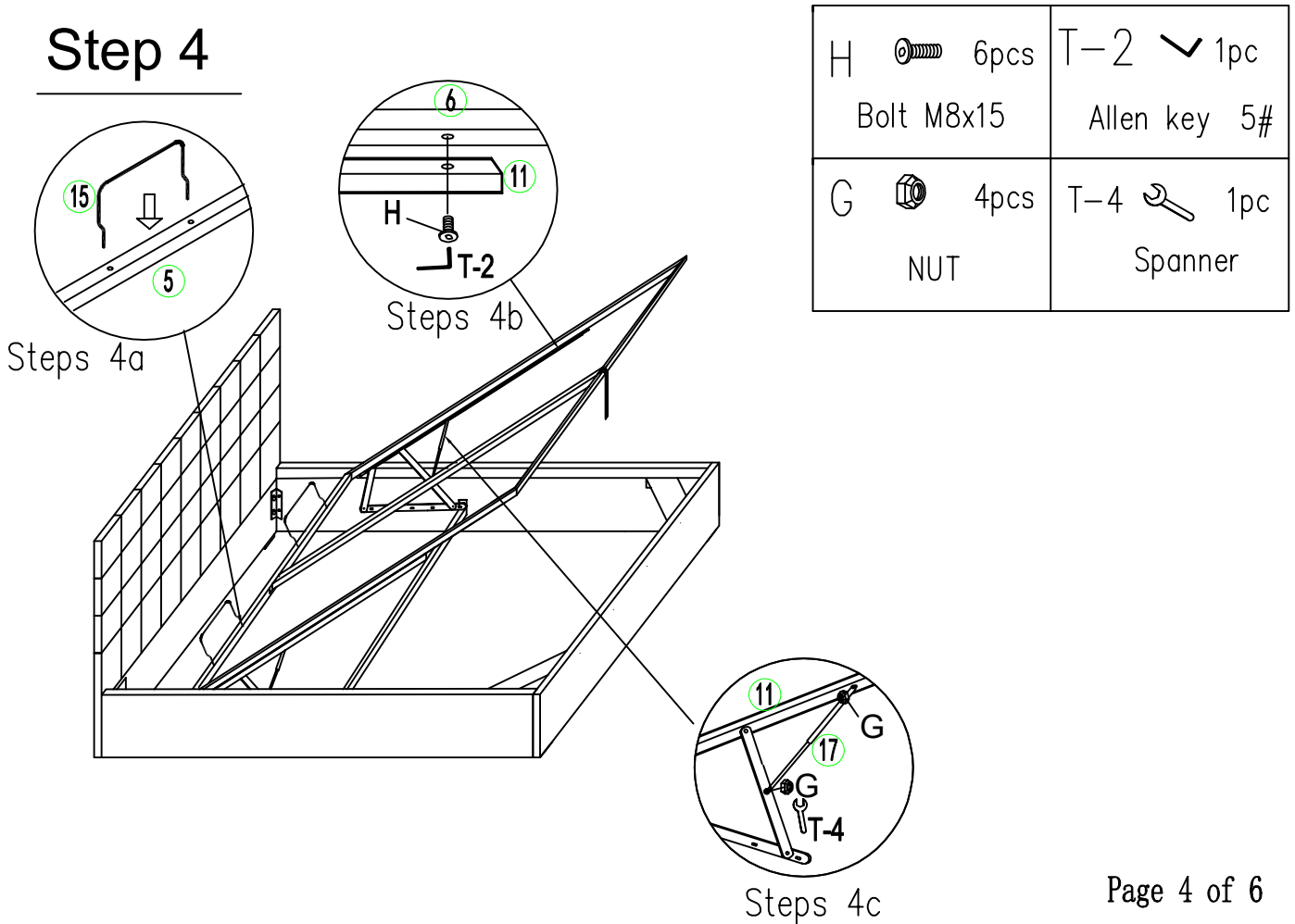


J  6pcs Screw 4*80	T-2  1pc Allen key 5#
E  4pcs Screw 4*35	C  8pcs Bolt M8x30
	T-1  1pc Screw driver (not provided)


Step 3




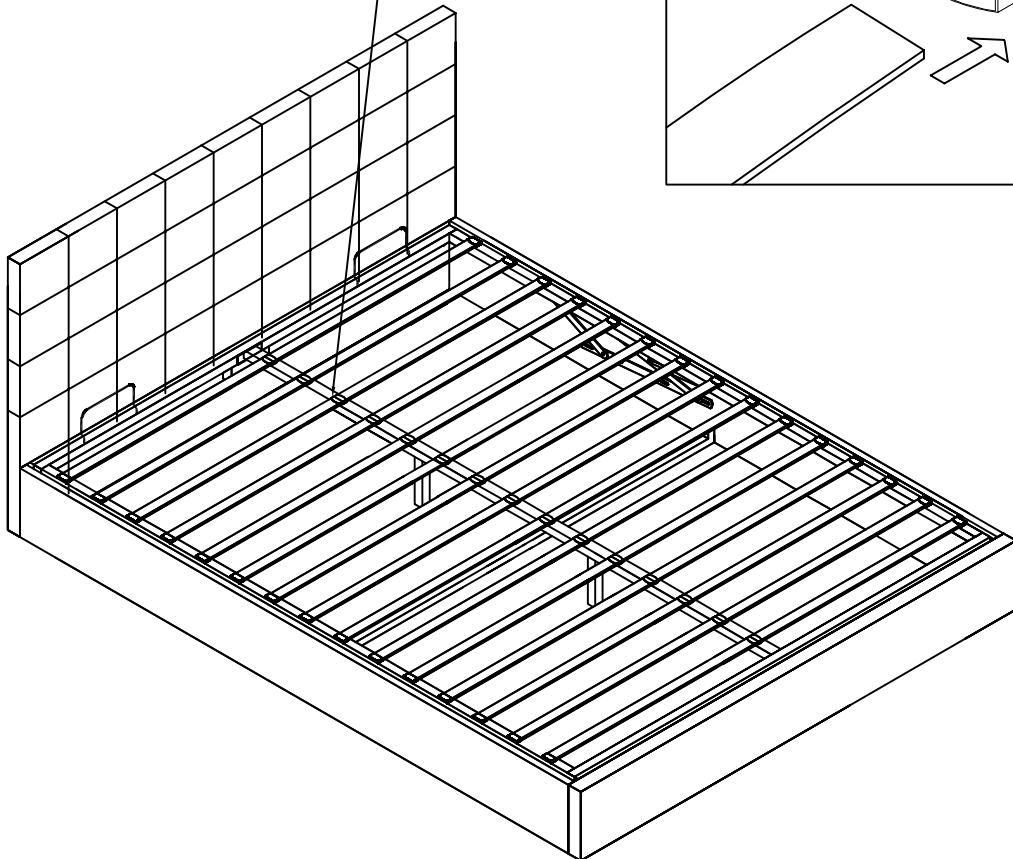
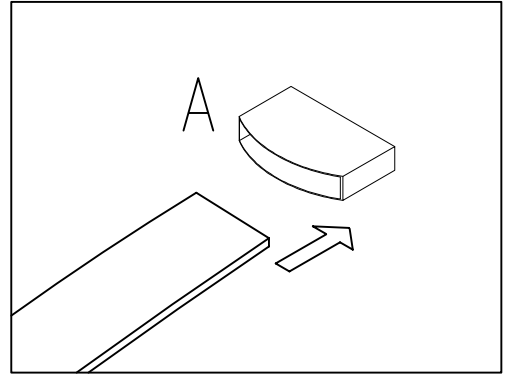
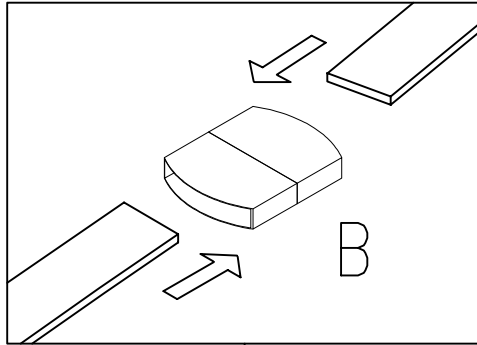
Step 4



Step 5

A  30pcs
Single
Plastic CAP

B  15pcs
Double
Plastic CAP



Step 6

PASTE NON WOVEN FABRIC TO THE BOTTOM OF THE BED

