
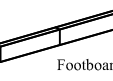

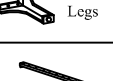
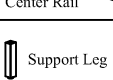
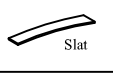
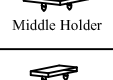



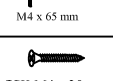



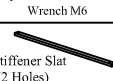

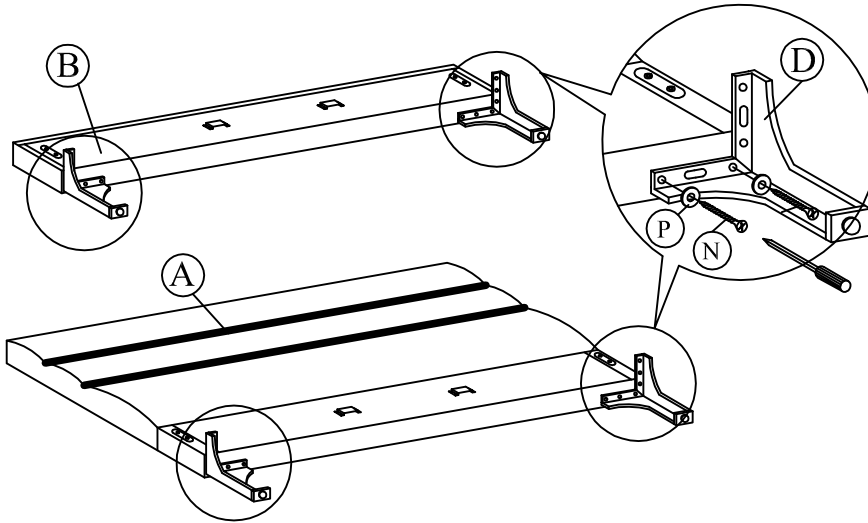


ASSEMBLY INSTRUCTION

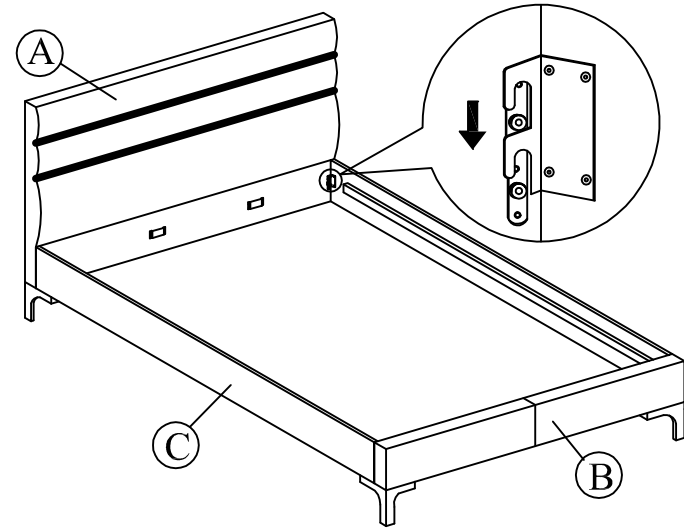
MODEL: NARIO CF 8716 (6)

A		1 pc
B		1 pc
C		2 pcs
D		4 pcs
E		2 pcs
F		6 pcs
G		42 pcs
H		28 pcs
I		28 pcs
J		6 pcs
K		4 pcs
L		1 pc
M		1 pc
N		12 pcs
O		4 pcs
P		16 pcs
Q		4 pcs
R		1 pc
S		2 pcs

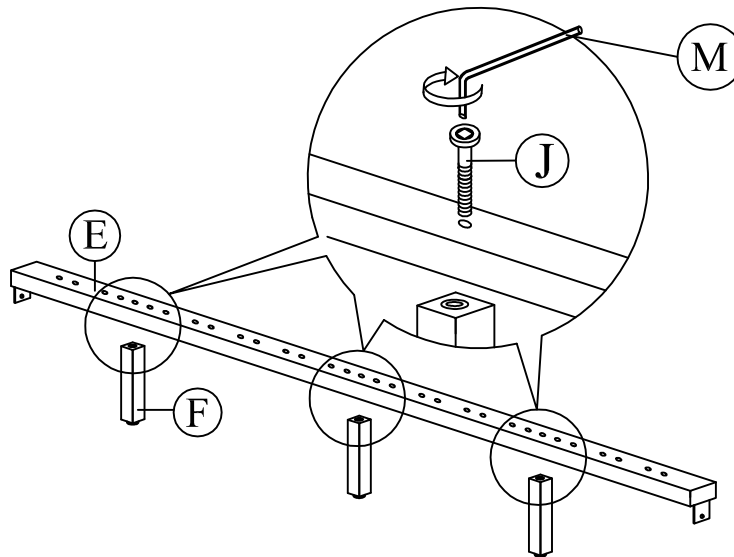
Step 1: Tighten the legs (D) to headboard (A) and footboard (B) as shown.



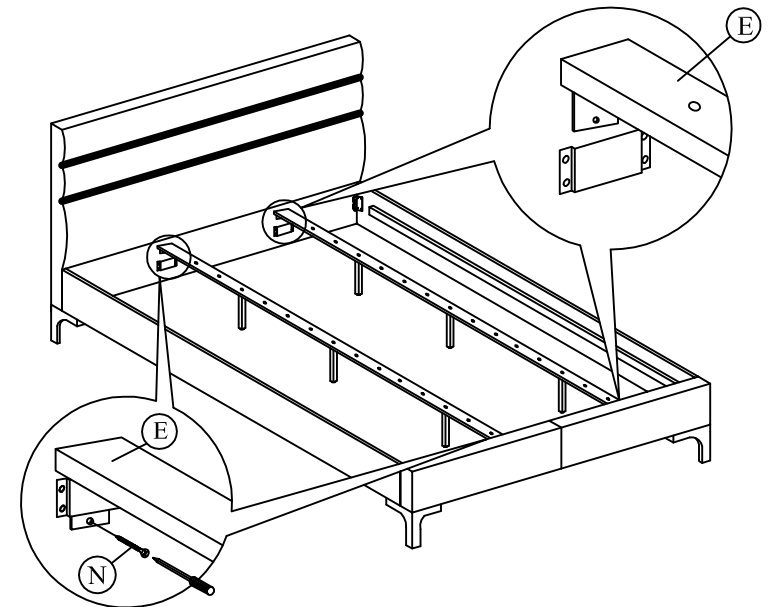
Step 2: Attach Side Rail (C) to Headboard (A) and Footboard (B) by pushing the bracket down to fit it.



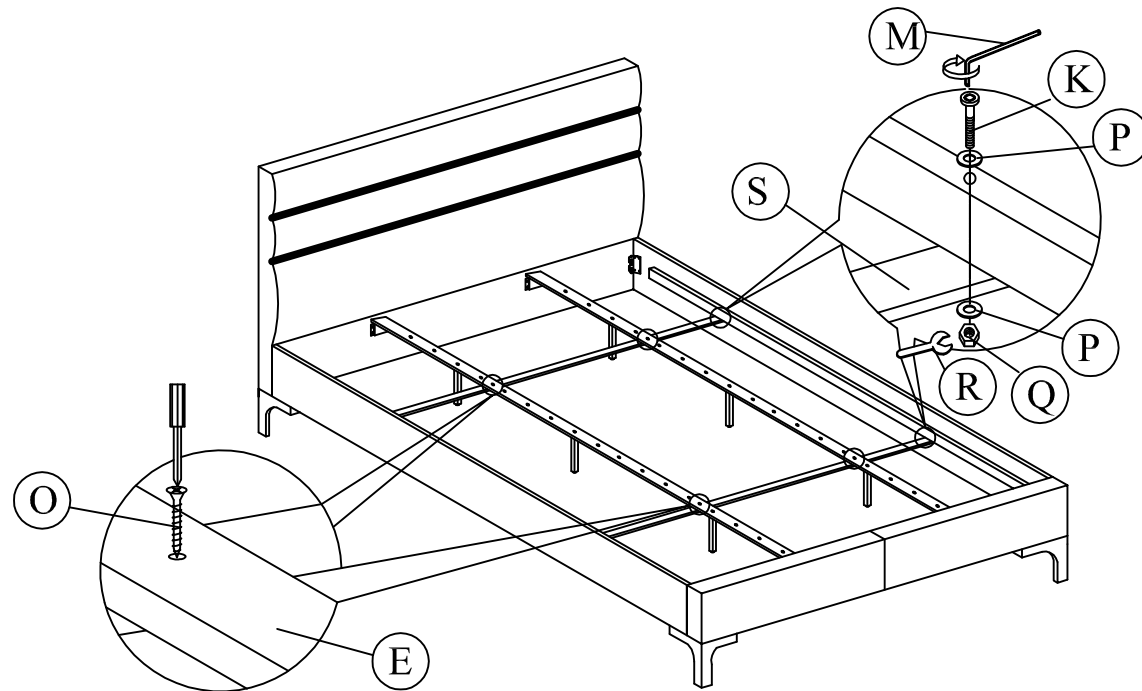
Step 3: Attach the support legs (F) to the center rail (E) of the bed as shown.



Step 4: Slide the center rail (E) to the headboard (A) and footboard (B). Tighten screws (N) using screw driver (not included) to the headboard (A) and footboard (B).



Step 5: Affix the Stiffener Slat (T) to the center rail (E) and side rail support wood.



Step 6: Tighten all the 4 corner ,follow by assembly of the slat holders with LVL slats as shown.

